

Dimplex Aspen Fire Model : ASP20

08/19280/0 Issue 1

Dimensions (millimetres)

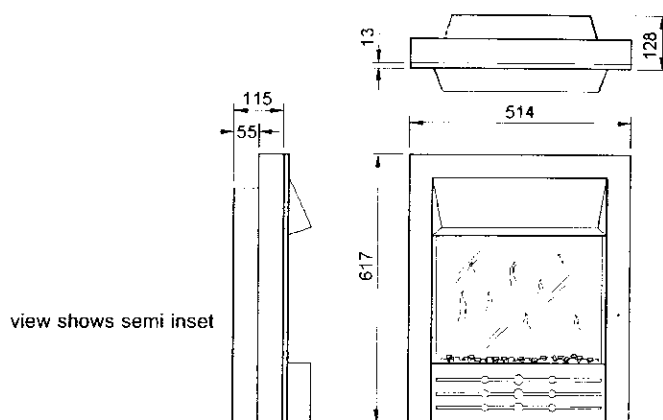


Fig. 1

THESE INSTRUCTIONS SHOULD BE READ CAREFULLY AND RETAINED FOR FUTURE REFERENCE.

Important Safety Advice:

When using electrical appliances, Basic precautions should always be followed to reduce the risk of fire, electrical shock, and injury to persons, including the following:

If the appliance is damaged, check with the supplier before installation and operation.

Do not use outdoors.

Do not use in the immediate surroundings of a bath, shower or swimming pool.

Do not locate the heater immediately below a fixed socket outlet or connection box.

Do not cover the heater. Do not place material or garments on the heater, or obstruct the air circulation around the heater, for instance by curtains or furniture, as this could cause overheating and a fire risk.

The appliance is not intended for use by young children or infirm persons without supervision.

Young children or infirm persons should be supervised to ensure that they do not play with the appliance.

Do not use this heater in series with a thermal control, a program controller, a timer or any other device that switches on the heat automatically, since a fire risk exists when the heater is accidentally covered or displaced.

Ensure that furniture, curtains or other combustible material are positioned no closer than 1 metre from the heater.

In the event of a fault unplug the heater.

Unplug the heater when not required for long periods.

Although this heater complies with safety standards, we do not recommend its use on deep pile carpets or on long hair type of rugs.

The appliance must be positioned so that the plug is accessible.

If the supply cord is damaged it must be replaced by the manufacturer or service agent or a similarly qualified person in order to avoid a hazard.

General

Unpack the heater carefully and retain the packaging for possible future use, in the event of moving or returning the fire to your supplier. Loose coals and pebbles are packed separately within the carton. When the heater is assembled the coals or pebbles are placed on top of the fuel bed up to a maximum weight of 6kg.

The heater is designed for use inset into a 407mm (16") or 457mm (18") wide by 559mm (22") high fireplace opening see also section "Installation in a fire place opening".

A 2kw fan heater discreetly positioned in the canopy of the fire provides heating in cold weather. Switching allows half or full heat.

Before connecting the heater check that the supply voltage is the same as that stated on the heater.

Please note: Used in an environment where background noise is very low, it may be possible to hear a sound which is related to the operation of the flame effect. This is normal and should not be a cause for concern.

Electrical

WARNING - THIS APPLIANCE MUST BE EARTHED

This heater must be used on an AC ~ supply only and the voltage marked on the heater must correspond to the supply voltage.

Before switching on, please read the safety warnings and operating instructions.

Installation in a Fireplace Opening

At the rear of the fire, two adjustable supports are provided for levelling the fire where the base of the fireplace opening is raised above the level of the hearth.

Adjust by removing the two screws holding each bracket in position, then refit the bracket and the two screws in the required position.

The metal surround at the rear may be removed if full inset of this fire is required.

Operation

The unique flame effect may be enjoyed whether or not the heating elements are in operation.

Controls

The heater controls are located on the right hand side of the canopy heat outlet.

Three switches provide a choice of heat settings. A switch is in the ON position when the red indicator mark on the switch is visible.

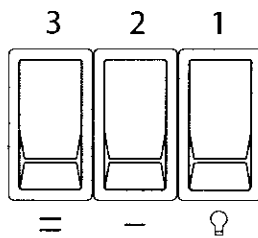


Fig. 2

Switch 1 - Controls the electricity supply to the heater and the flame effect.

Note: This switch must be in the ON position for the heater to operate.

Switch 2 - Provides 1kw heat output.

Switch 3 - Provides 2kw heat output with switch 2.

Maintenance

WARNING - BEFORE UNDERTAKING ANY MAINTENANCE OR CLEANING, REMOVE PLUG OR DISCONNECT FROM THE ELECTRICITY SUPPLY.

Lamp Replacement

There are two lamps located beneath the fuel effect. To gain access to the lamps, remove the coal/pebbles and place in a container, lift out the plastic fuel effect to reveal the lamps. Replace the defective lamp with a 240V - 60W E14 SES clear candle lamp.

Replace plastic fuel effect and coal/pebbles.

Safety cut-out

For your safety, this appliance has been fitted with thermal cut-out. In the event that the product overheats, the cut-out switches the heat off automatically.

To bring the heat back into operation, remove the cause of the overheating, then unplug or turn off the electrical supply to the heater for up to 10 minutes.

When the heater has cooled sufficiently, re-connect and switch on the heater.

Cleaning

Before commencing cleaning, unplug the heater and allow it to cool.

The surfaces of the heater should be given an occasional wipe over with a dry soft cloth.

Do not use detergents, abrasive cleaning powder or polish on the metal body of the heater.

The glass screen should be cleaned carefully with a chamois leather. DO NOT use proprietary cleaners.

To remove any accumulation of dust or fluff the soft brush attachment of a vacuum cleaner should occasionally be used to clean the outlet grille of the fan heater located under the canopy.

To clean the fuel effect, remove the coal pieces or pebbles and wash in warm water. The plastic tray should be wiped clean with a damp cloth. When dry replace the coal pieces or pebbles and arrange for best effect.

After Sales Service

Please see the separate Warranty leaflet for details of your Warrantee & after sales service including contact details. Should you require after sales service, please get in touch with the supplier through whom you purchased the appliance, or the contact number on your Warranty leaflet.



The product complies with the Australian/New Zealand Safety Standards AS/NZ S 335.2.30:1997 and 2002 Part 1 also the European Standard Electromagnetic Compatibility (EMC) EN 55 014-1:1993, EN 61000-3-2:1995, EN 61000-3-3:1995, EN 55 014-2:1997 which cover the essential requirements of EEC Directive 89/336/EEC.

Specification subject to change without prior notice.

Dimplex